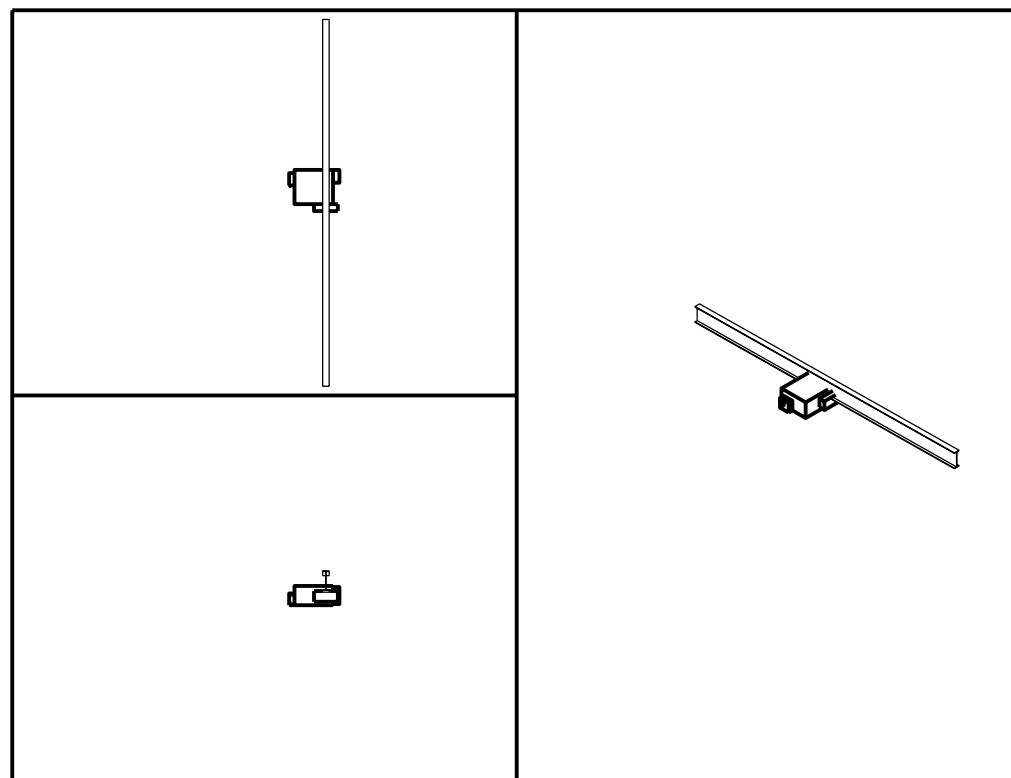
Object #1 Information

App =
 Form Type =
 ID =
 Part = 21 41 31 11 21 - Structural Floors Girders
 Family = 21 41 31 Superstruct. and Encl.

Object #2 InformationInterference Information

Number = 3
 Type = Hard
 Status = Reviewed
 Point = X - 120' -2 3/4", Y - 47' -4 1/16", Z - 25' -10 1/4"
 Object 1 Commodity =
 Object 2 Commodity =
 Object 1 File = ...jects*Examples*_COBIE*files*S-SteelFraming-02.jsm
 Object 2 File = ...Space*Projects*Examples*_COBIE*files*M-Floor2.jsm
 Date First Detected = Jul-21-2008 18:04:35
 Last Date Detected = Jul-21-2008 22:08:22
 Reviewer = WJM
 Comment = Change duct size to 24 x 10 to clear beam

C:*Documents and Settings*All Users*Application Data*Bentley*WorkSpace*Projects*Examples*_COBIE*files*BENTLEY_SCIE_soft.IOF

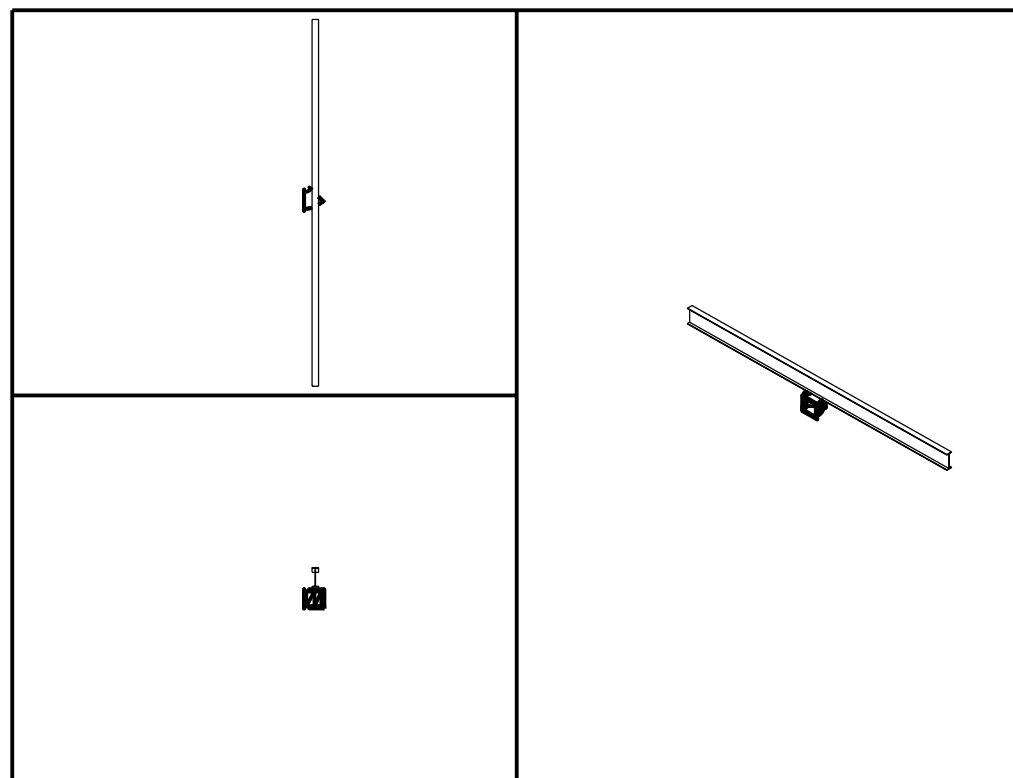
Object #1 Information

App =
 Form Type =
 ID =
 Part = 21 41 31 11 21 - Structural Floors Girders
 Family = 21 41 31 Superstruct. and Encl.

Object #2 InformationInterference Information

Number = 5
 Type = Hard
 Status = Reviewed
 Point = X - 120' -2 3/4", Y - 46' -11 1/8", Z - 25' -10 5/16"
 Object 1 Commodity =
 Object 2 Commodity =
 Object 1 File = ...jects*Examples*_COBIE*files*S-SteelFraming-02.jsm
 Object 2 File = ...Space*Projects*Examples*_COBIE*files*M-Floor2.jsm
 Date First Detected = Jul-21-2008 18:04:35
 Last Date Detected = Jul-21-2008 22:08:22
 Reviewer = WJM
 Comment = Coordinate with Struct and request beam with less depth

C:*Documents and Settings*All Users*Application Data*Bentley*WorkSpace*Projects*Examples*_COBIE*files*BENTLEY_SCIE_soft.IOF

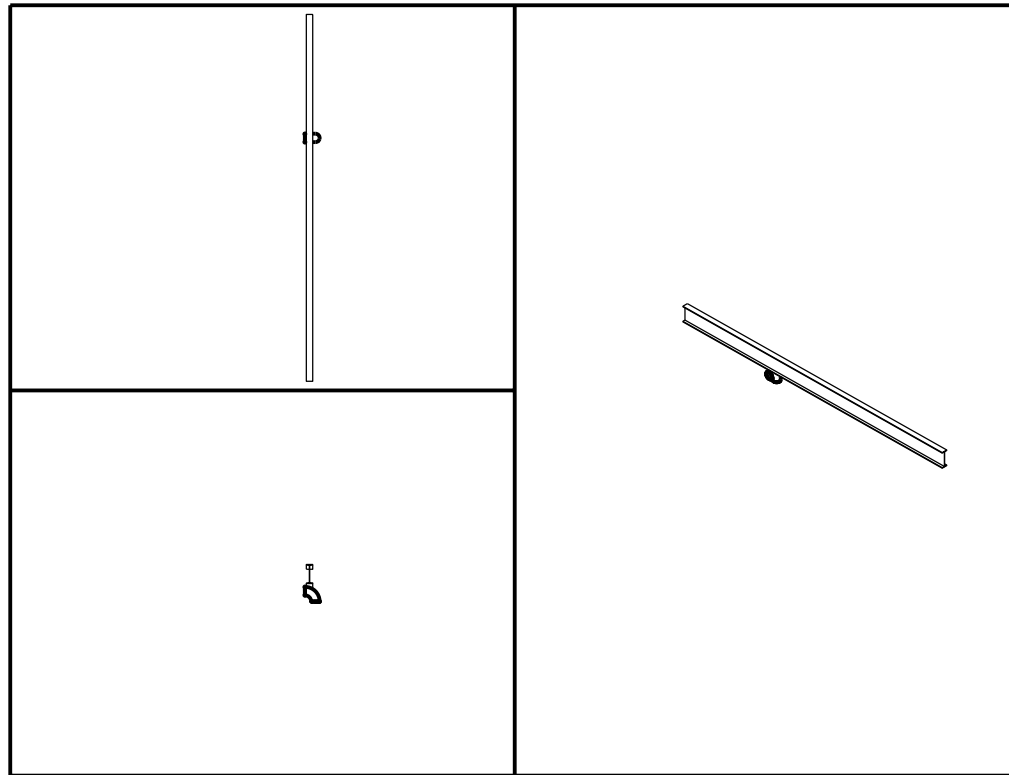
Object #1 Information

App =
 Form Type =
 ID =
 Part = 21 41 31 11 21 - Structural Floors Girders
 Family = 21 41 31 Superstruct. and Encl.

Object #2 InformationInterference Information

Number = 80
 Type = Soft
 Status = Detected
 Point = X - 59' -7 11/16", Y - 45' -5 5/16", Z - 25' -8 1/2"
 Object 1 Commodity =
 Object 2 Commodity =
 Object 1 File = ...jects*Examples*_COBIE*Files*S-SteelFraming-02.jsm
 Object 2 File = ...Space*Projects*Examples*_COBIE*Files*M-Floor2.jsm
 Date First Detected = Jul-21-2008 18:32:28
 Last Date Detected = Jul-21-2008 22:08:22
 Reviewer =
 Comment =

C:*Documents and Settings*All Users*Application Data*Bentley*WorkSpace*Projects*Examples*_COBIE*Files*BENTLEY_SCIE_soft.IOF



Object #1 Information

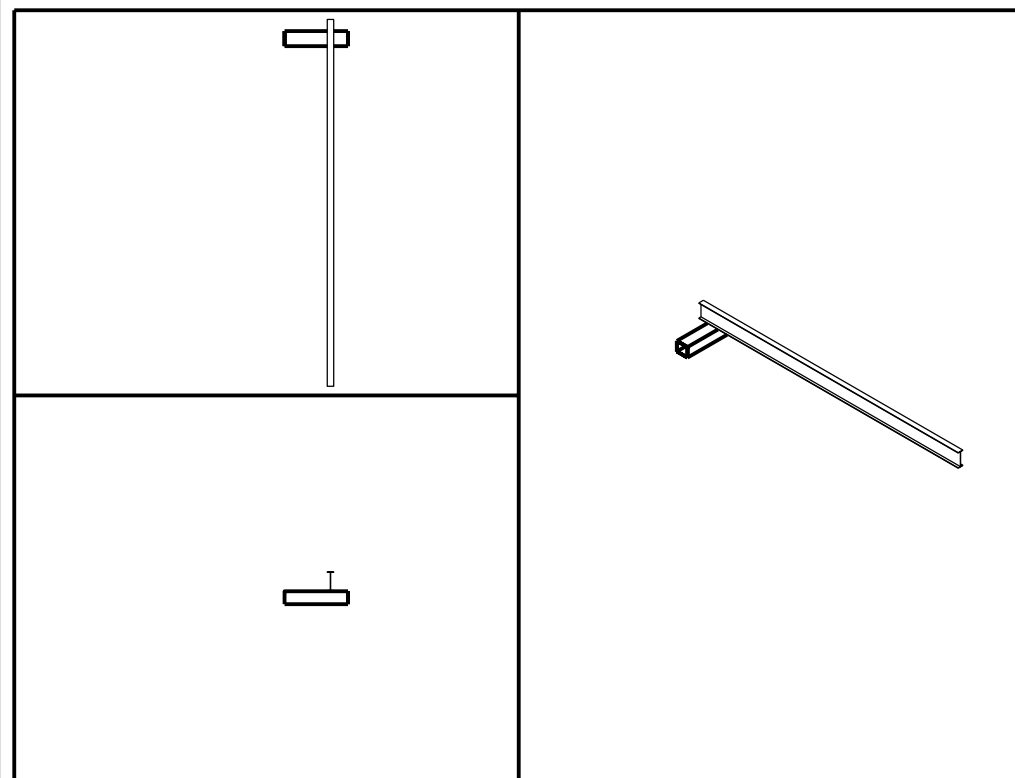
App =
 Form Type =
 ID =
 Part = 21 41 31 11 21 - Structural Floors Girders
 Family = 21 41 31 Superstruct. and Encl.

Object #2 Information

Interference Information

Number = 83
 Type = Soft
 Status = Detected
 Point = X - 138' -7 1/2", Y - 49' -3 9/16", Z - 25' -9 9/16"
 Object 1 Commodity =
 Object 2 Commodity =
 Object 1 File = ...jects*Examples*_COBIE*Files*S-SteelFraming-02.jsm
 Object 2 File = ...Space*Projects*Examples*_COBIE*Files*M-Floor2.jsm
 Date First Detected = Jul-21-2008 18:32:28
 Last Date Detected = Jul-21-2008 22:08:22
 Reviewer =
 Comment =

C:*Documents and Settings*All Users*Application Data*Bentley*WorkSpace*Projects*Examples*_COBIE*Files*BENTLEY_SCIE_soft.IOF

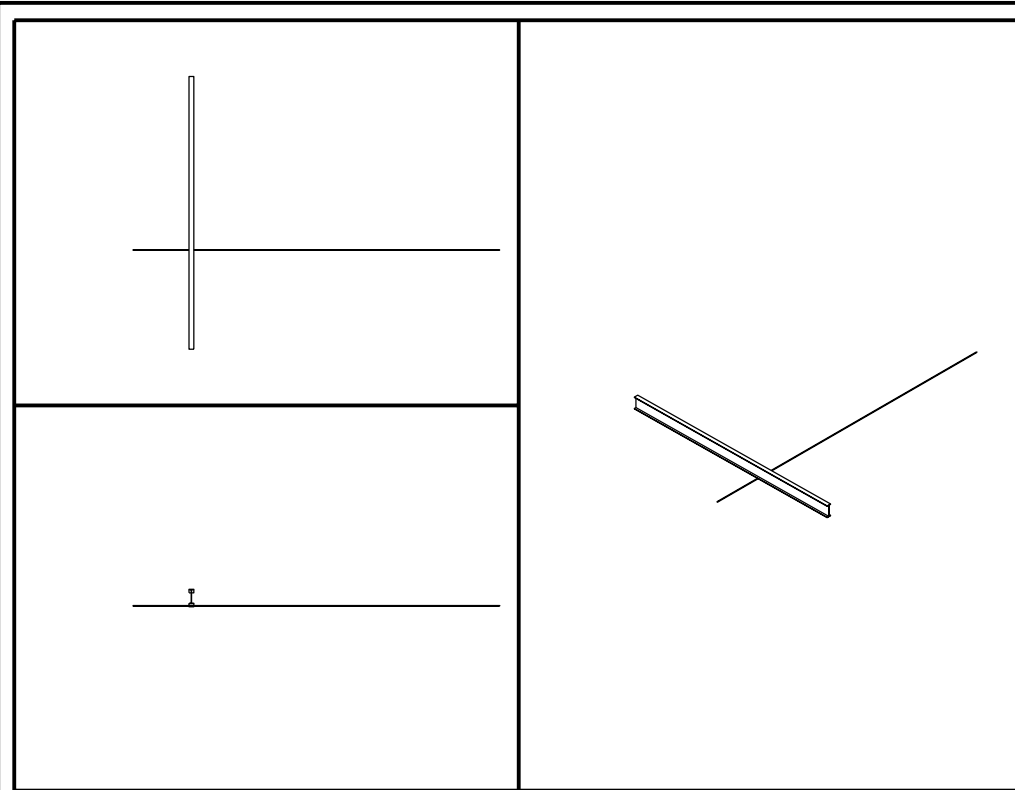
Object #1 Information

App =
 Form Type =
 ID =
 Part = 21 41 31 11 21 - Structural Floors Girders
 Family = 21 41 31 Superstruct. and Encl.

Object #2 InformationInterference Information

Number = 90
 Type = Soft
 Status = Detected
 Point = X - 101' - 4 3/16", Y - 27' - 11", Z - 13'
 Object 1 Commodity =
 Object 2 Commodity =
 Object 1 File = ...jects*Examples*_COBIE*files*S-SteelFraming-01.jsm
 Object 2 File = ...Space*Projects*Examples*_COBIE*files*M-Floor1.jsm
 Date First Detected = Jul-21-2008 18:32:29
 Last Date Detected = Jul-21-2008 22:08:23
 Reviewer =
 Comment =

C:*Documents and Settings*All Users*Application Data*Bentley*WorkSpace*Projects*Examples*_COBIE*files*BENTLEY_SCIE_soft.IOF



Object #1 Information

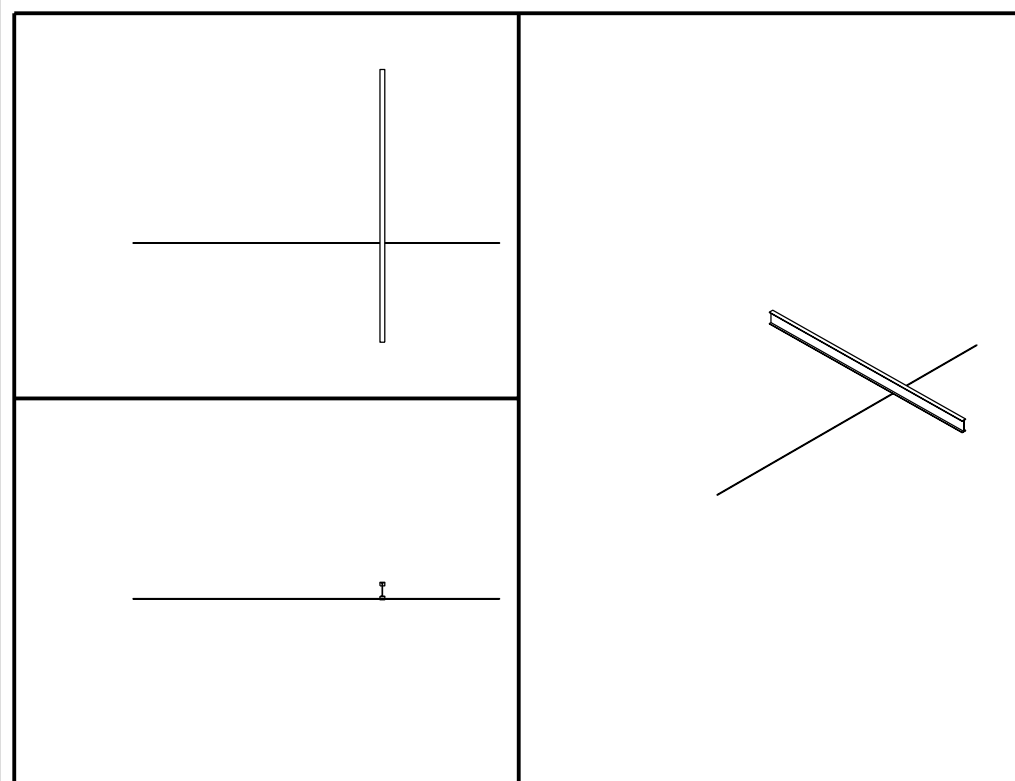
App =
 Form Type =
 ID =
 Part = 21 41 31 11 21 - Structural Floors Girders
 Family = 21 41 31 Superstruct. and Encl.

Object #2 Information

Interference Information

Number = 92
 Type = Soft
 Status = Detected
 Point = X - 73' - 10 1/4", Y - 40' - 6 1/16", Z - 25' - 9 7/8"
 Object 1 Commodity =
 Object 2 Commodity =
 Object 1 File = ...jects*Examples*_COBIE*Files*S-SteelFraming-02.jsm
 Object 2 File = ...rojects*Examples*_COBIE*Files*P-Floor2-Piping.jsm
 Date First Dected = Jul-21-2008 18:32:29
 Last Date Dected = Jul-21-2008 22:08:23
 Reviewer =
 Comment =

C:*Documents and Settings*All Users*Application Data*Bentley*WorkSpace*Projects*Examples*_COBIE*Files*BENTLEY_SCIE_soft.IOF

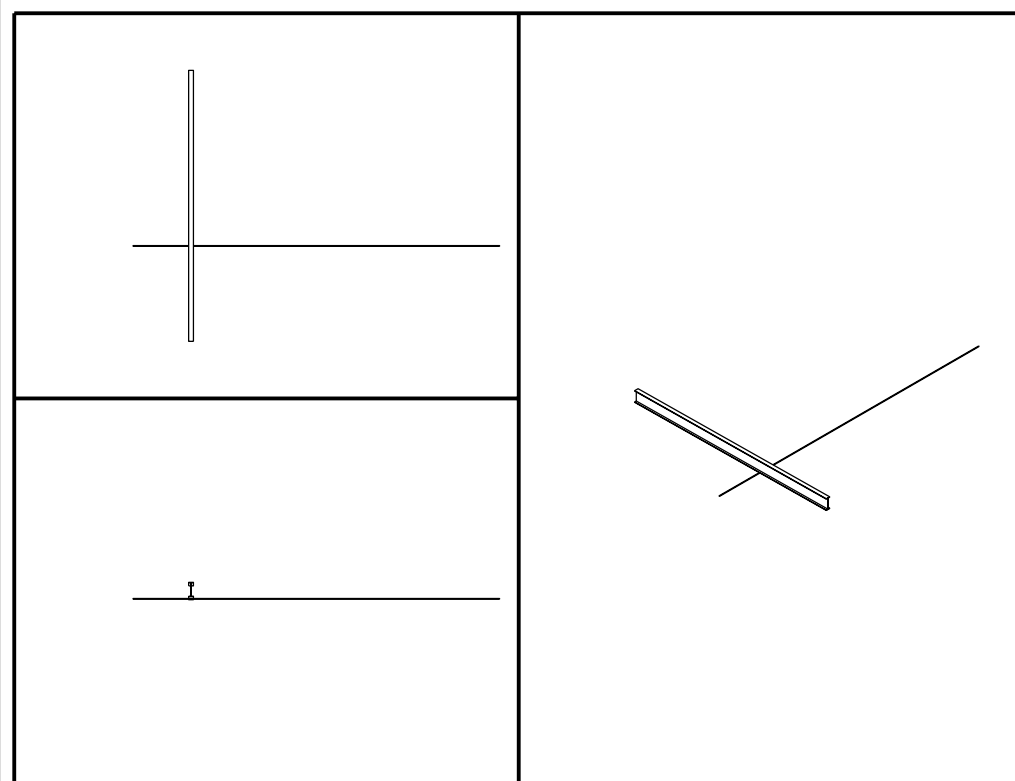
Object #1 Information

App =
 Form Type =
 ID =
 Part = 21 41 31 11 21 - Structural Floors Girders
 Family = 21 41 31 Superstruct. and Encl.

Object #2 InformationInterference Information

Number = 93
 Type = Soft
 Status = Detected
 Point = X - 73' -10 1/4", Y - 40' -6 1/16", Z - 25' -9 7/8"
 Object 1 Commodity =
 Object 2 Commodity =
 Object 1 File = ...jects*Examples*_COBIE*Files*S-SteelFraming-02.jsm
 Object 2 File = ...rojects*Examples*_COBIE*Files*P-Floor2-Piping.jsm
 Date First Detected = Jul-21-2008 18:32:29
 Last Date Detected = Jul-21-2008 22:08:23
 Reviewer =
 Comment =

C:*Documents and Settings*All Users*Application Data*Bentley*WorkSpace*Projects*Examples*_COBIE*Files*BENTLEY_SCIE_soft.IOF

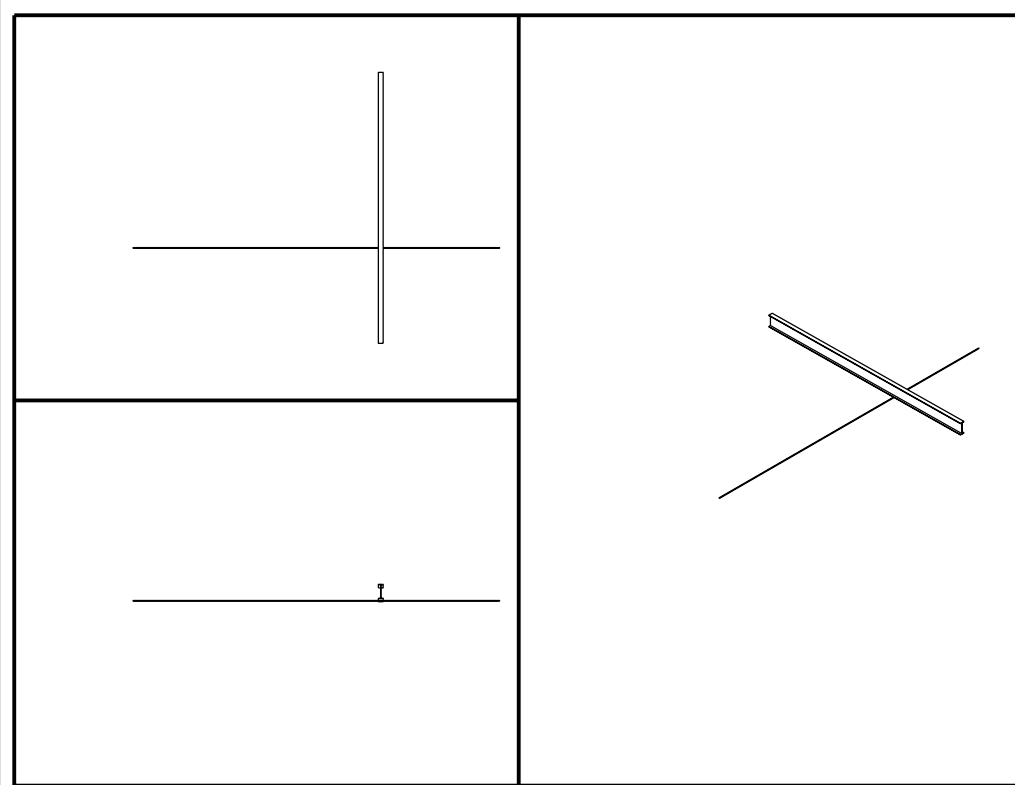
Object #1 Information

App =
 Form Type =
 ID =
 Part = 21 41 31 11 21 - Structural Floors Girders
 Family = 21 41 31 Superstruct. and Encl.

Object #2 InformationInterference Information

Number = 94
 Type = Soft
 Status = Detected
 Point = X - 73' -10 1/4", Y - 40' -1 5/8", Z - 25' -10 5/16"
 Object 1 Commodity =
 Object 2 Commodity =
 Object 1 File = ...jects*Examples*_COBIE*Files*S-SteelFraming-02.jsm
 Object 2 File = ...rojects*Examples*_COBIE*Files*P-Floor2-Piping.jsm
 Date First Dected = Jul-21-2008 18:32:29
 Last Date Dected = Jul-21-2008 22:08:23
 Reviewer =
 Comment =

C:*Documents and Settings*All Users*Application Data*Bentley*WorkSpace*Projects*Examples*_COBIE*Files*BENTLEY_SCIE_soft.IOF



Object #1 Information

App =
 Form Type =
 ID =
 Part = 21 41 31 11 21 - Structural Floors Girders
 Family = 21 41 31 Superstruct. and Encl.

Object #2 Information

Interference Information

Number = 95
 Type = Soft
 Status = Detected
 Point = X - 73' -10 1/4", Y - 40' -1 5/8", Z - 25' -10 5/16"
 Object 1 Commodity =
 Object 2 Commodity =
 Object 1 File = ...jects*Examples*_COBIE*Files*S-SteelFraming-02.jsm
 Object 2 File = ...rojects*Examples*_COBIE*Files*P-Floor2-Piping.jsm
 Date First Dectected = Jul-21-2008 18:32:29
 Last Date Dectected = Jul-21-2008 22:08:23
 Reviewer =
 Comment =

C:*Documents and Settings*All Users*Application Data*Bentley*WorkSpace*Projects*Examples*_COBIE*Files*BENTLEY_SCIE_soft.IOF